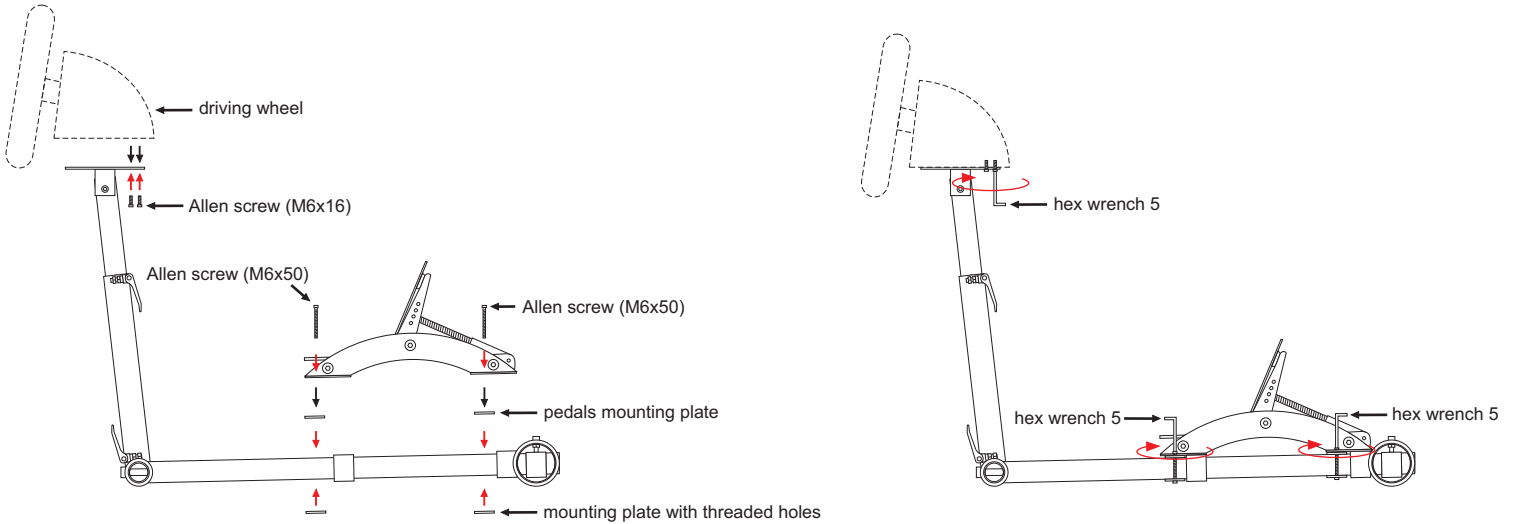




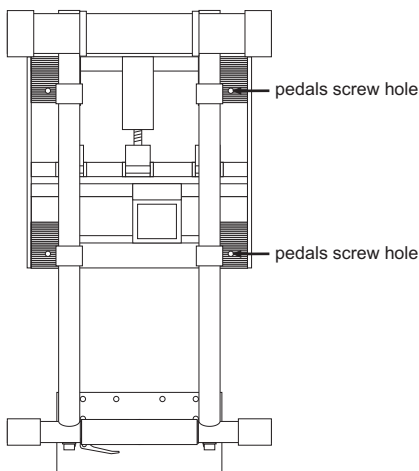
You can also see set-up video on: <http://www.youtube.com/watch?v=IOqFG2e2IKA>
or <http://www.youtube.com/user/wheelstandpro>

Put your wheel on the main plate and drive four bolts to fix it firmly.

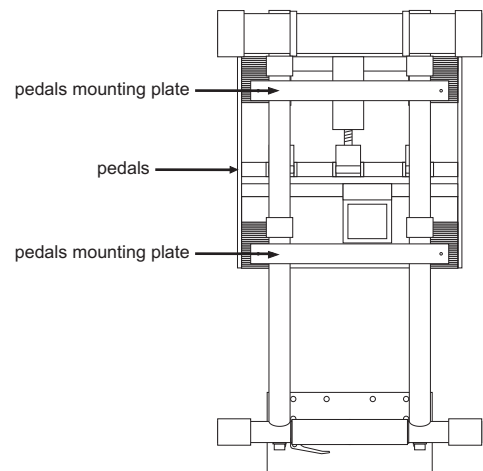


To mount CSP pedals to the base of the wheel stand pro, you must dismount the plate from the CSP pedals (where you put your feet on) first.

Now you can put your pedals on the stand and drive 4 Allen screws M6x50 with 4 pedals mounting plates to fix it firmly. When the pedals are fixed, you can mount the CSP plate back to the pedals.



bottom of stand



PLEASE ALSO VISIT CONSTRUCTOR'S TIPS: <http://www.wheelstandpro.com/contips.html>

Tightening the screws too much can cause damage to the wheel and to the pedals.

For details please visit our website
www.wheelstandpro.us

