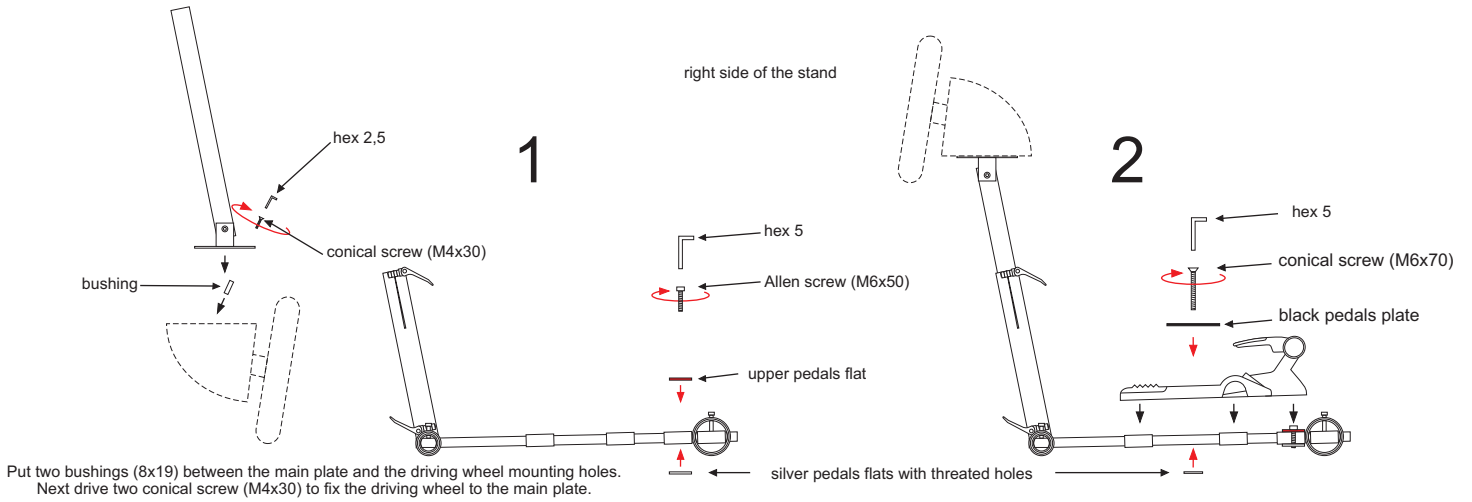


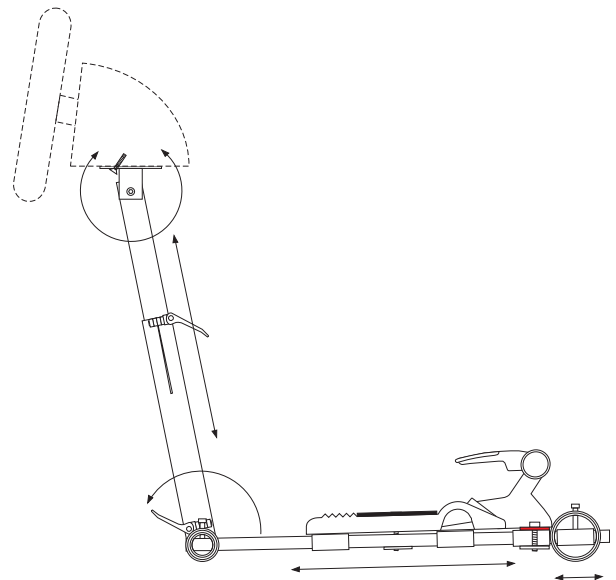
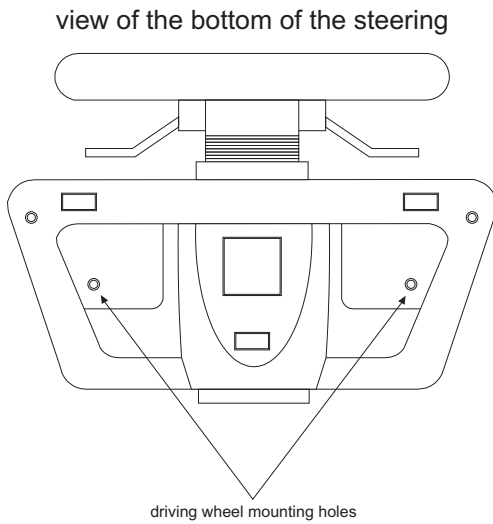


wheel stand pro

You can also see set-up video on: www.youtube.com/watch?v=bLREbYDJhRA
or <http://www.youtube.com/user/wheelstandpro>



Allen screws 6x80 are for the Logitech pedals only. Allen screws 6x16 are for mouting the Thrustmaster F430 wheel.



For better stability put both feet on the pedals.

Tightening the screws too much can cause damage to the wheel and pedals.

PLEASE ALSO VISIT CONSTRUCTOR'S TIPS: <http://www.wheelstandpro.com/contips.html>

F430 is trademark of Ferrari S.p.A.

For details please visit our website
www.wheelstandpro.us

e-drivers` choice