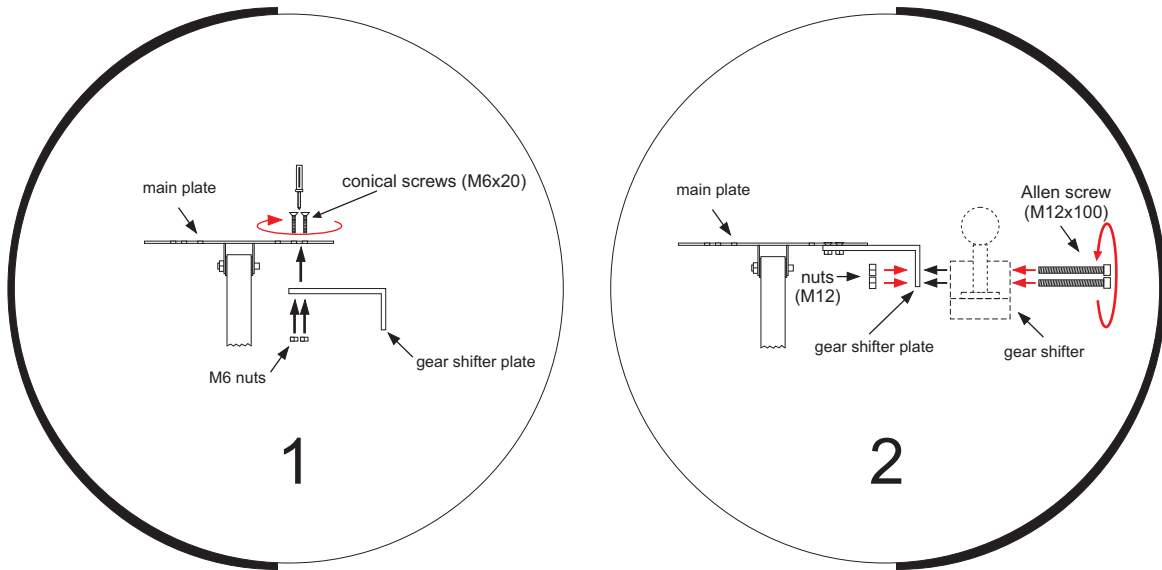




wheel stand pro

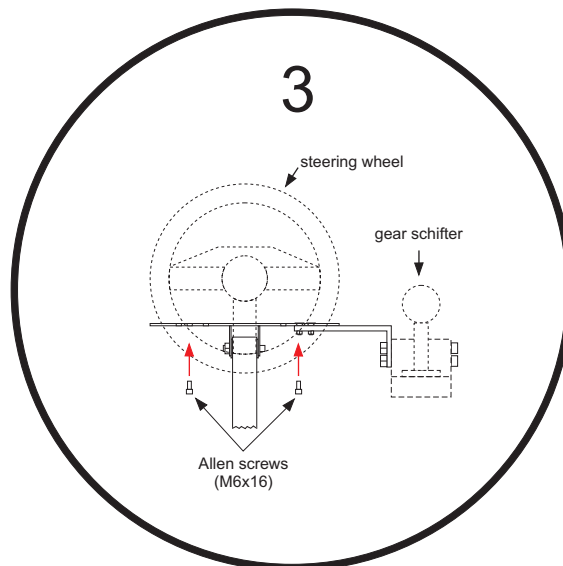
Please visit our YouTube channel for all the **set up videos** at: <http://www.youtube.com/user/wheelstandpro>

wheel and shifter set up video



Drive two conical screw M6x20 and two M6 nuts (strongly) to connect the gear shifter plate with the main plate.

Drive another two Allen screws M12x100 to fix the gear shifter to the gear shifter plate (with hands or gradually with a hex)



Put your wheel on the main plate and drive four Allen screws M6x16 to fix it firmly.

Tightening the screws too much can cause damage to the wheel and to the pedals.

For details please visit our web site
www.wheelstandpro.us

e-drivers` choice