

# Maintenance

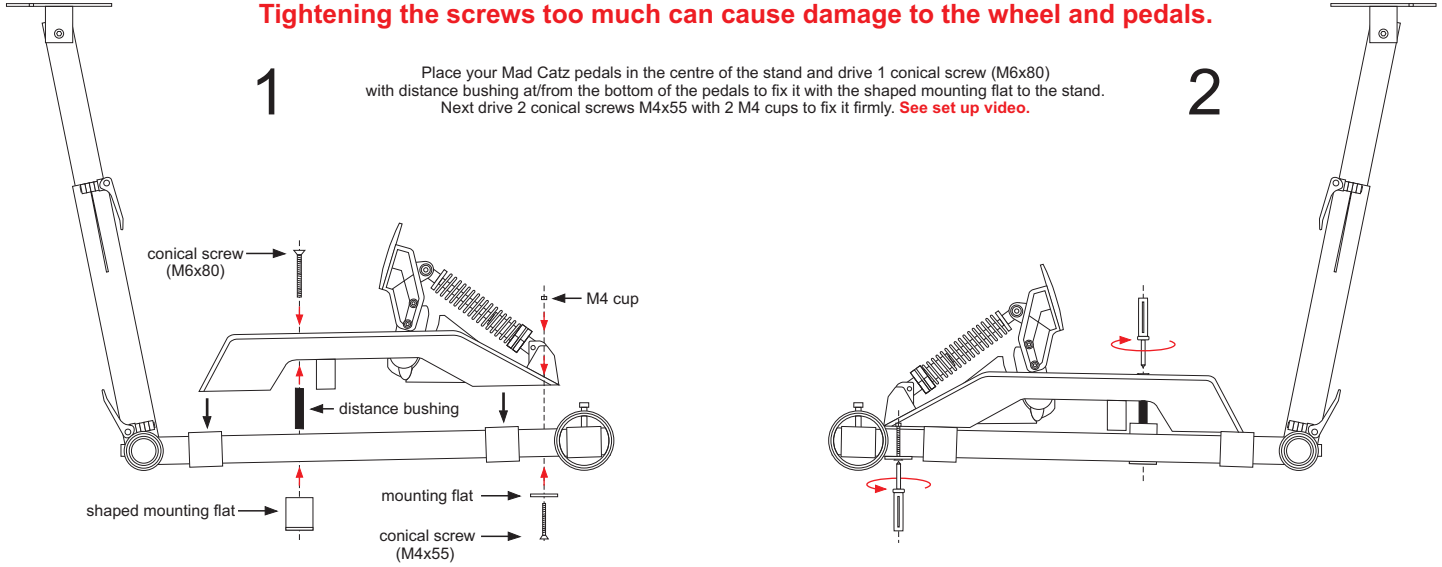
- Let loose joint before making any adjustments
- Keep this product in a dry environment free of chemical substances and vapour
- Never screw home stronger than necessary. You can damage the thread or/and bolt
- Clean it with a dry cloth

Please visit our YouTube channel for all the **set up videos** at: <http://www.youtube.com/user/wheelstandpro>

## MAD CATZ PRO RACING FORCE FEEDBACK WHEEL **set up video**



### Tightening the screws too much can cause damage to the wheel and pedals.



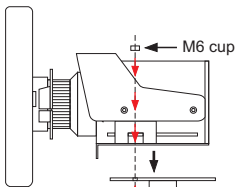
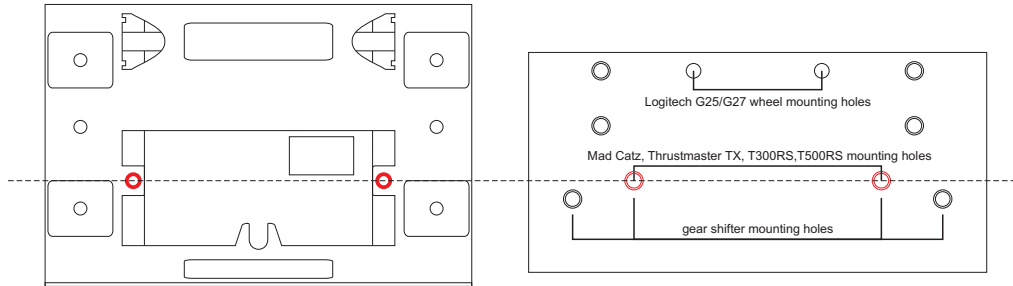
1

Place your Mad Catz pedals in the centre of the stand and drive 1 conical screw (M6x80) with distance bushing at/from the bottom of the pedals to fix it with the shaped mounting flat to the stand. Next drive 2 conical screws M4x55 with 2 M4 cups to fix it firmly. **See set up video.**

2

bottom view of the Mad Catz wheel plate

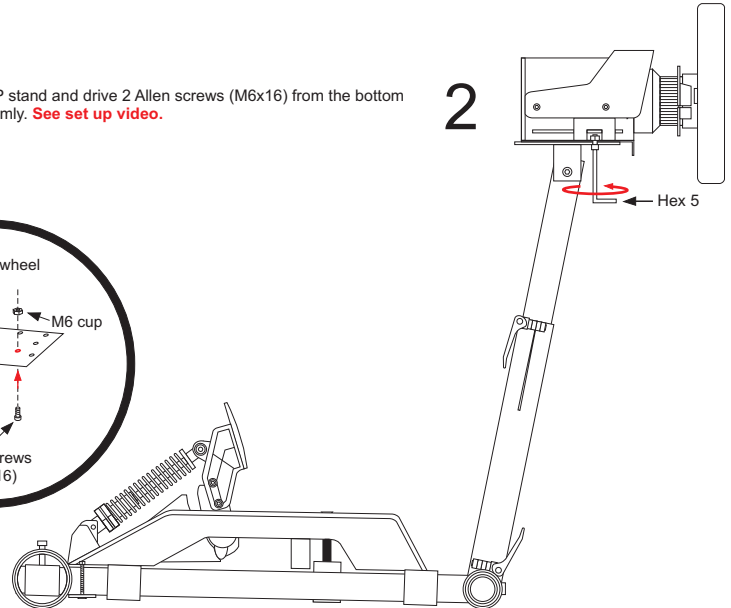
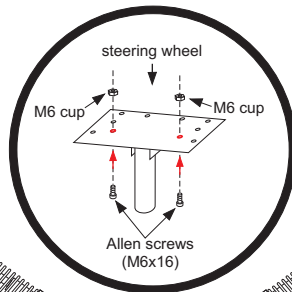
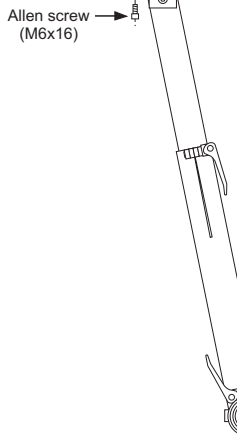
view of the Wheel Stand Pro main plate



1

Place your Mad Catz wheel on the main plate of the WSP stand and drive 2 Allen screws (M6x16) from the bottom with M6 cups to fix it firmly. **See set up video.**

2



#### In the box:

- 1 wheel stand pro unit, 1 shaped flat, 1 threaded flat, 1 hex wrench 5, 1 hex wrench 6, 1 open-end wrench 13, 2 Allen screws (M6x16), 1 conical screw (M6x80), 2 conical screws (M4x55)  
2 cups (M6), 2 cups (M4), 1 distance bushing, 2 bands, 2 instructions

## Warranty

Wheel stand pro offers two year warranty from the date of purchase. This warranty is available to the original owner by returning this paper. Warranty coverage includes all parts and workmanship. Warranty is void if damage is due to abuse, neglect or modification. Cost associated with the return of this product is the sole responsibility of its owner. In case of any problems with your product please contact us at [order@wheelstandpro.com](mailto:order@wheelstandpro.com)