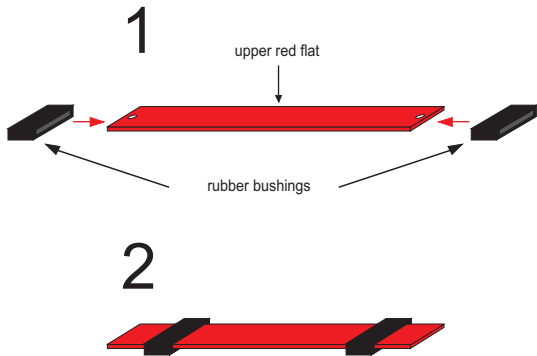


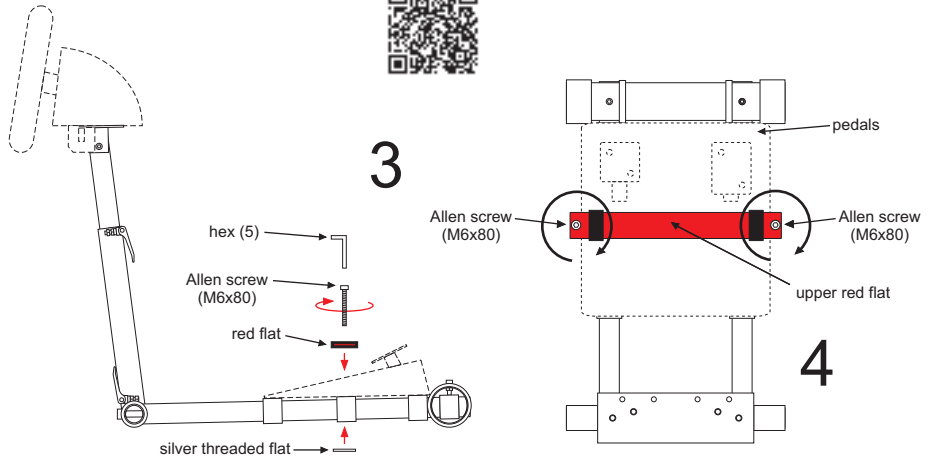


Please visit our YouTube channel for all the **set up videos** at: <http://www.youtube.com/user/wheelstandpro>

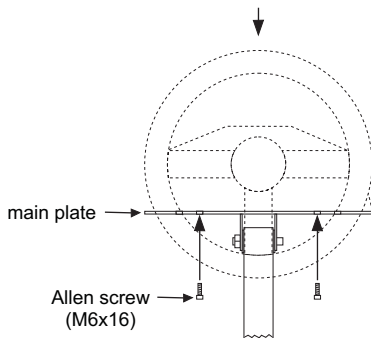
**2014 pedals fastening video  
(standard 2-pedals set)**



**TX, T300RS  
set up video**



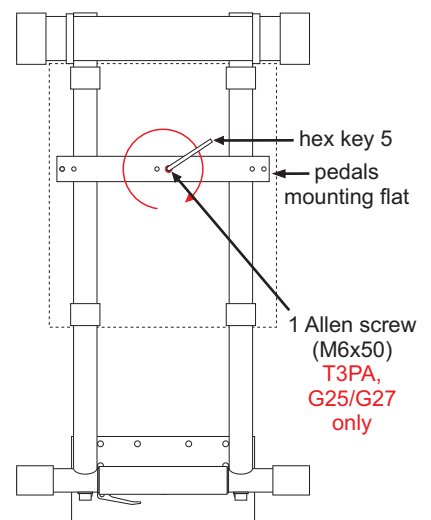
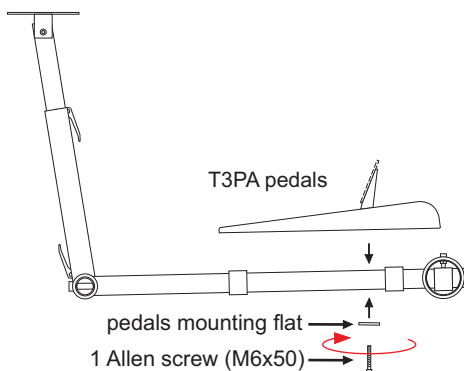
steering wheel  
(T300 RS, T500 RS, TX Racing Wheel)



Drive 2 M6x16 Allen screws to connect the steering wheel (T300RS, T500 RS and TX Racing Wheel) with the main plate (without shifter plate - **see set up video**).

**For better stability place both feet on the pedals.**

**Please see set up video.**



Place your T3PA pedals in the centre of the stand and drive 1 Allen screws (M6x50) to fix it firmly.  
**Allen screw (M6x50) is for G27 and T3PA pedals only.**

**PLEASE ALSO SEE CONSTRUCTOR'S TIPS:** <http://www.wheelstandpro.com/contips.html>

**Tightening the screws too much can cause damage to the wheel and pedals.**

