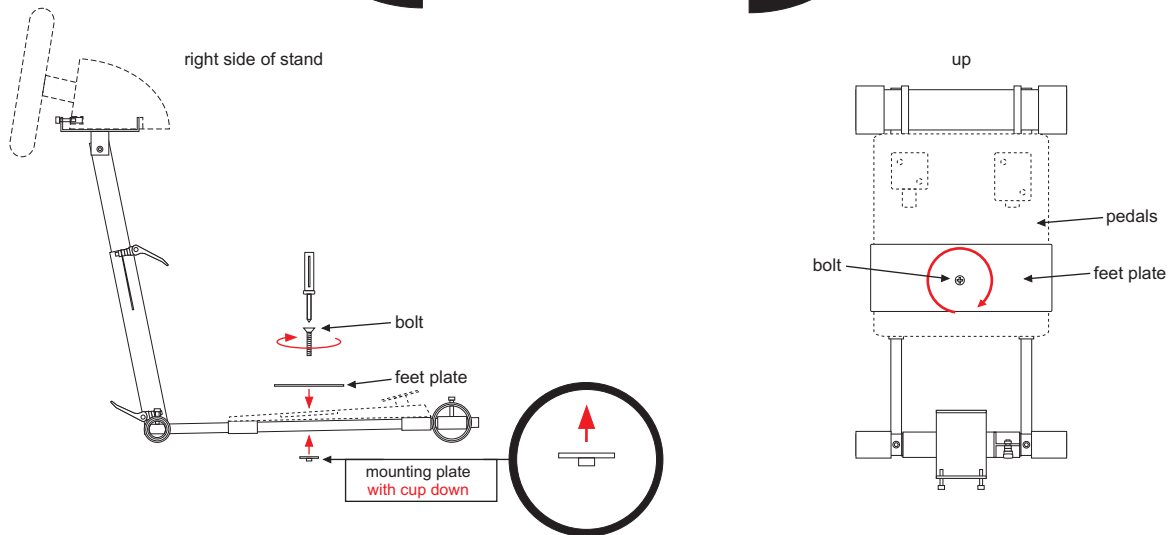
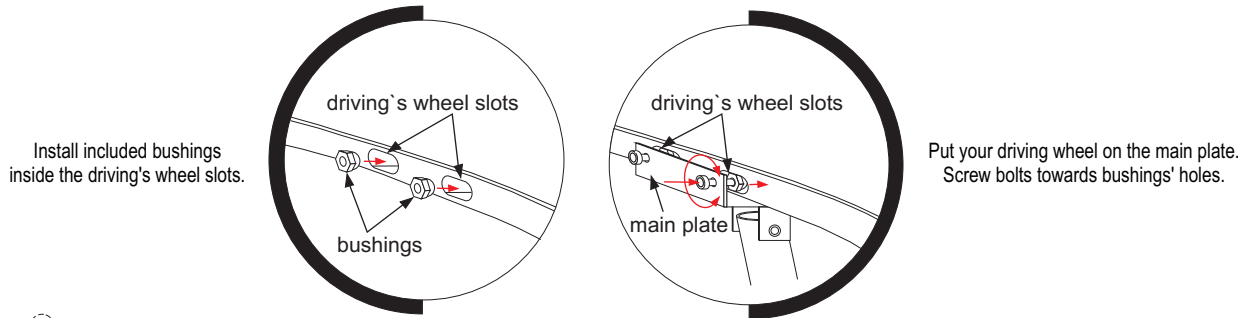




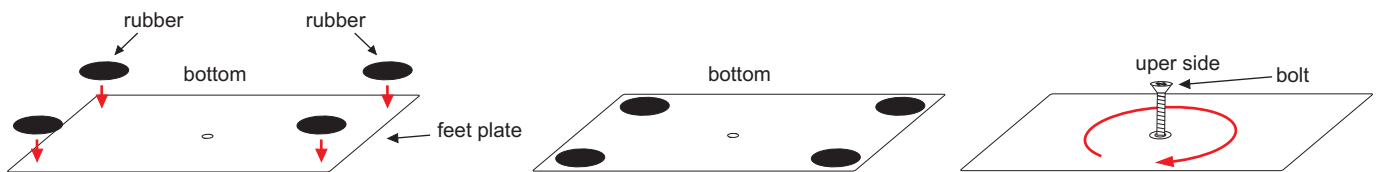
wheel stand pro

### Maintenance

- Let loose joint before making any adjustment.
- Keep this product in dry environment free of chemical substances and vapour.
- Never screw home stronger than necessary. You can damage thread or/and bolt.
- Clean it with dry cloth



PLEASE STICK RUBBER CIRCLES TO BOTTOM SIDE OF A FEET PLATE AS SHOWN BELOW



### Warranty

Wheel stand pro offers two years warranty from the date of purchase. This warranty is available to the original owner by returning this paper.

- Warranty coverages includes all parts and workmanship.
- Warranty is void if damage is due to abuse, neglect or modification.
- Cost associated with the return of this product is the sole responsibility of the owner.

In case of any problems with your product please contact us at [order@wheelstandpro.com](mailto:order@wheelstandpro.com)

for details please visit our web site

[www.wheelstandpro.us](http://www.wheelstandpro.us)

e-drivers` choice